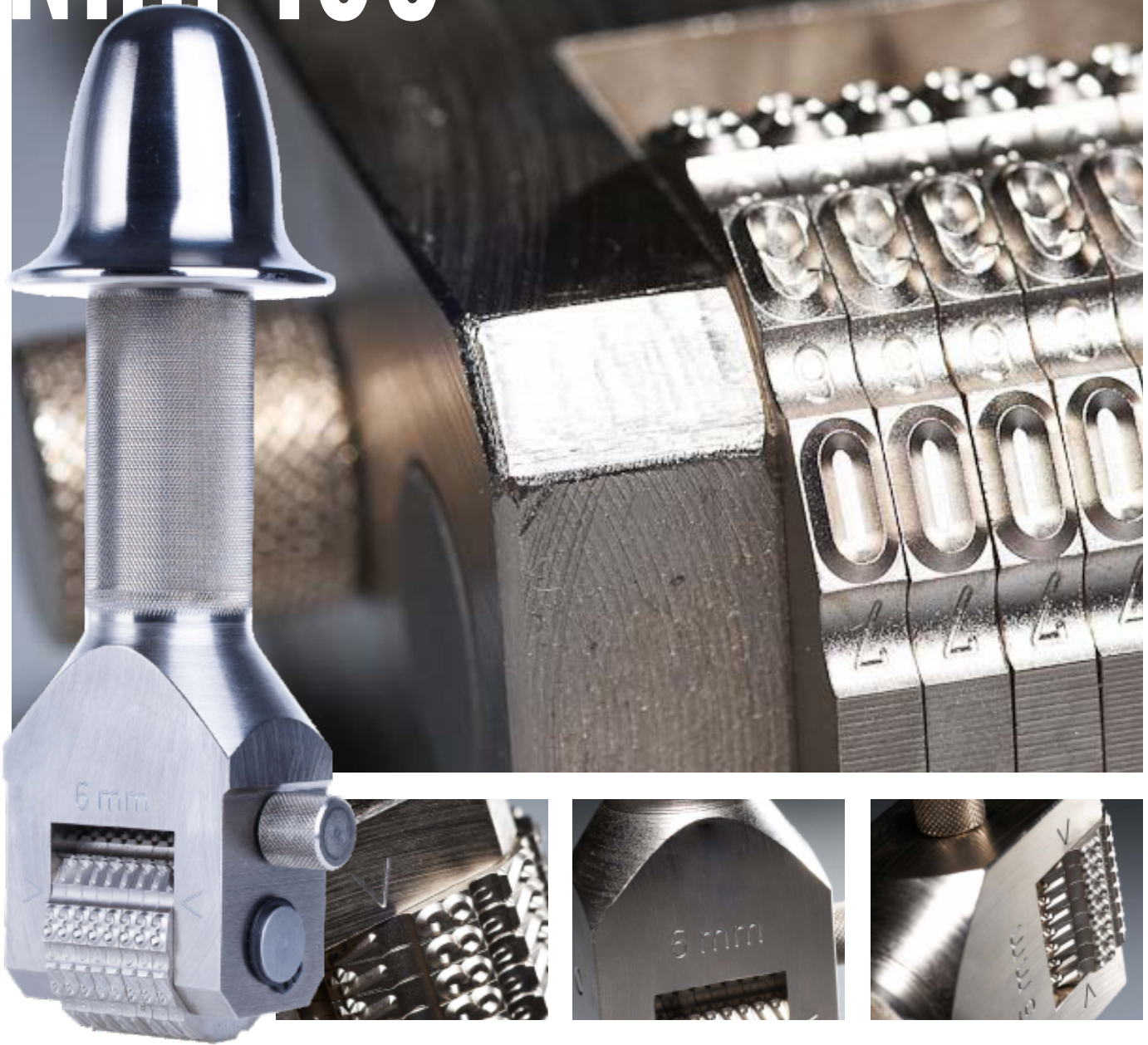


NUMBERING HEAD

NHH 100 Lettersize 1/8" - 1/4" - 3/8"

Pickardt
MARKING TOOLS

NHH 100

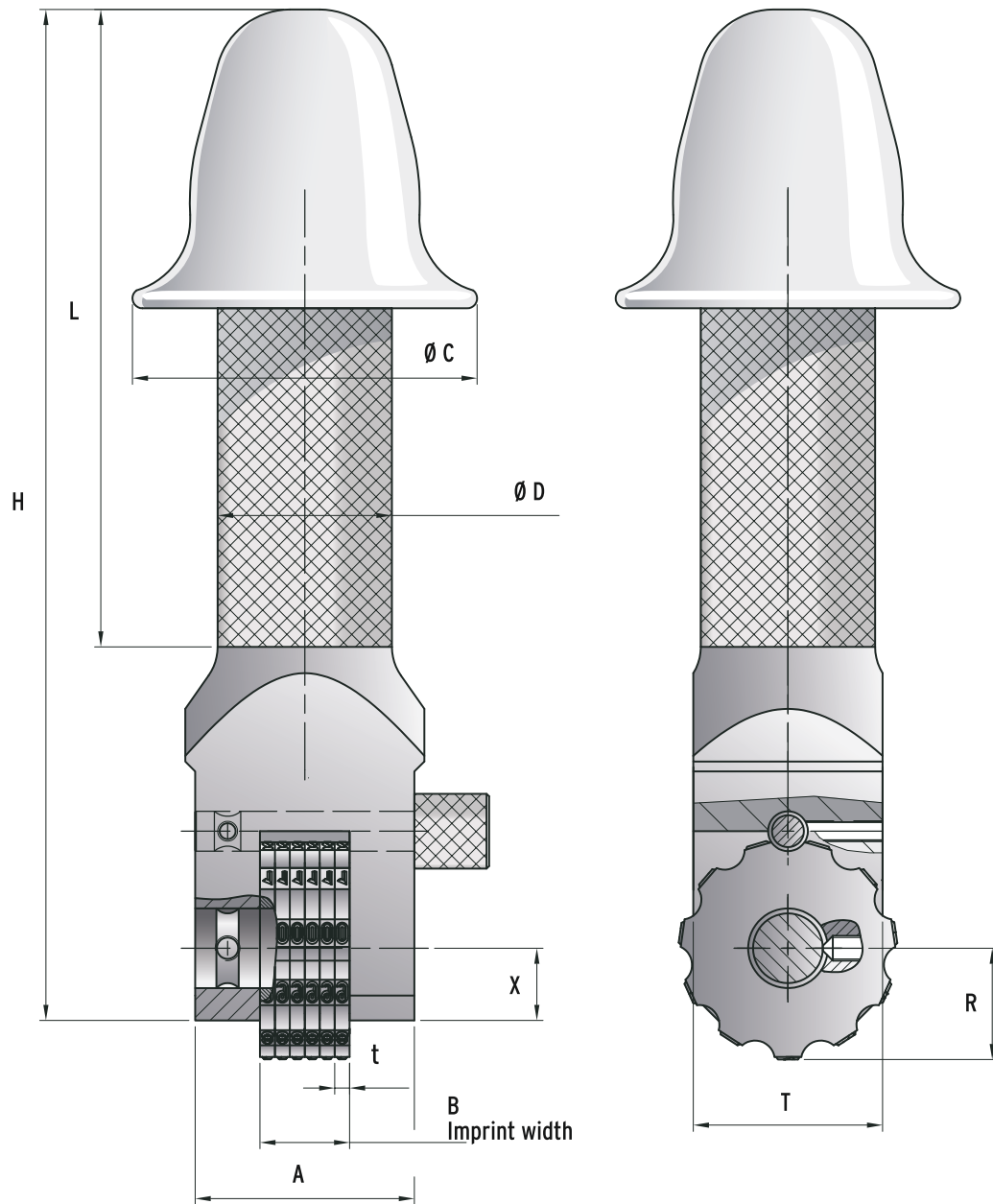


- 8 digits (or by request)
- Solid construction for high loads
- Impact cap with integral hand guard
- With Tell-tale characters to control
- Chemically Nickel Plated
- Engraving: 0 – 9 and spacer
- Material of wheels: 1.2842 HRC 60

PICKARDT MARKING TOOLS INC. email: info@pickardt-marking-tools.com

NUMBERING HEAD

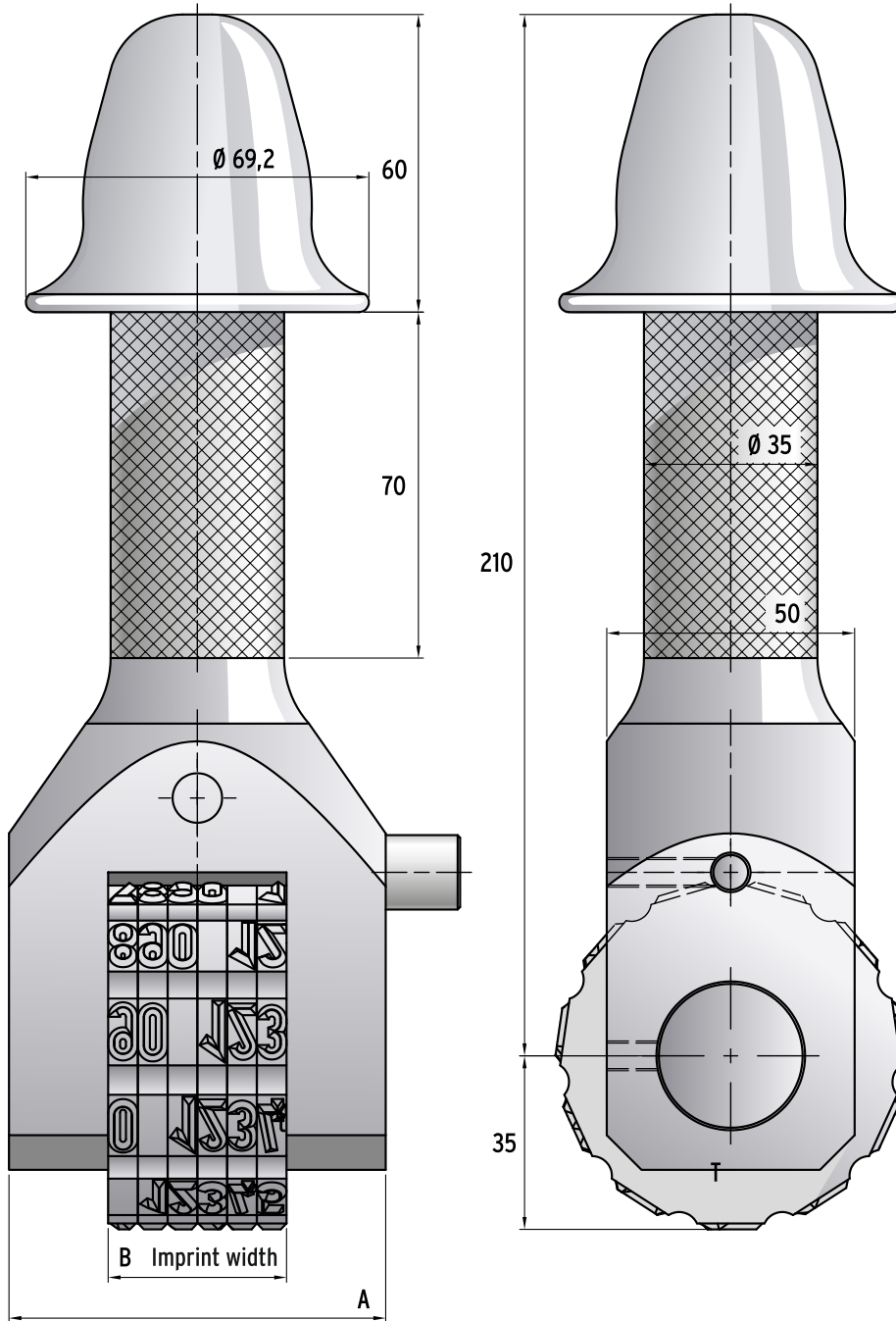
NHH 100 Lettersize 1/8" - 1/4"



Lettersize	Number of wheels	Wheel width mm							Diameter impact cap	Diameter handle	Handle length
SH	n	t	A	B	H	T	R	X	Ø C	Ø D	L
1/8"	6	3	44	18	198	38	22	14.5	70	35	123
	8	3	50	24	198	38	22	14.5	70	35	123
1/4"	6	4	48	24	201	38	22	14.5	70	35	123
	8	4	56	32	201	38	22	14.5	70	35	123

NUMBERING HEAD NHH 100 Lettersize

3/8"



Lettersize	3/8"											
Wheel width mm	Standard 6 wheels											
DIGITS	1	2	3	4	5	6	7	8	9	10	11	12
A	46	52	58	64	70	76	82	88	99	105	111	117
B	6	12	18	24	30	36	42	48	54	60	66	72