

NUMBERING HEAD

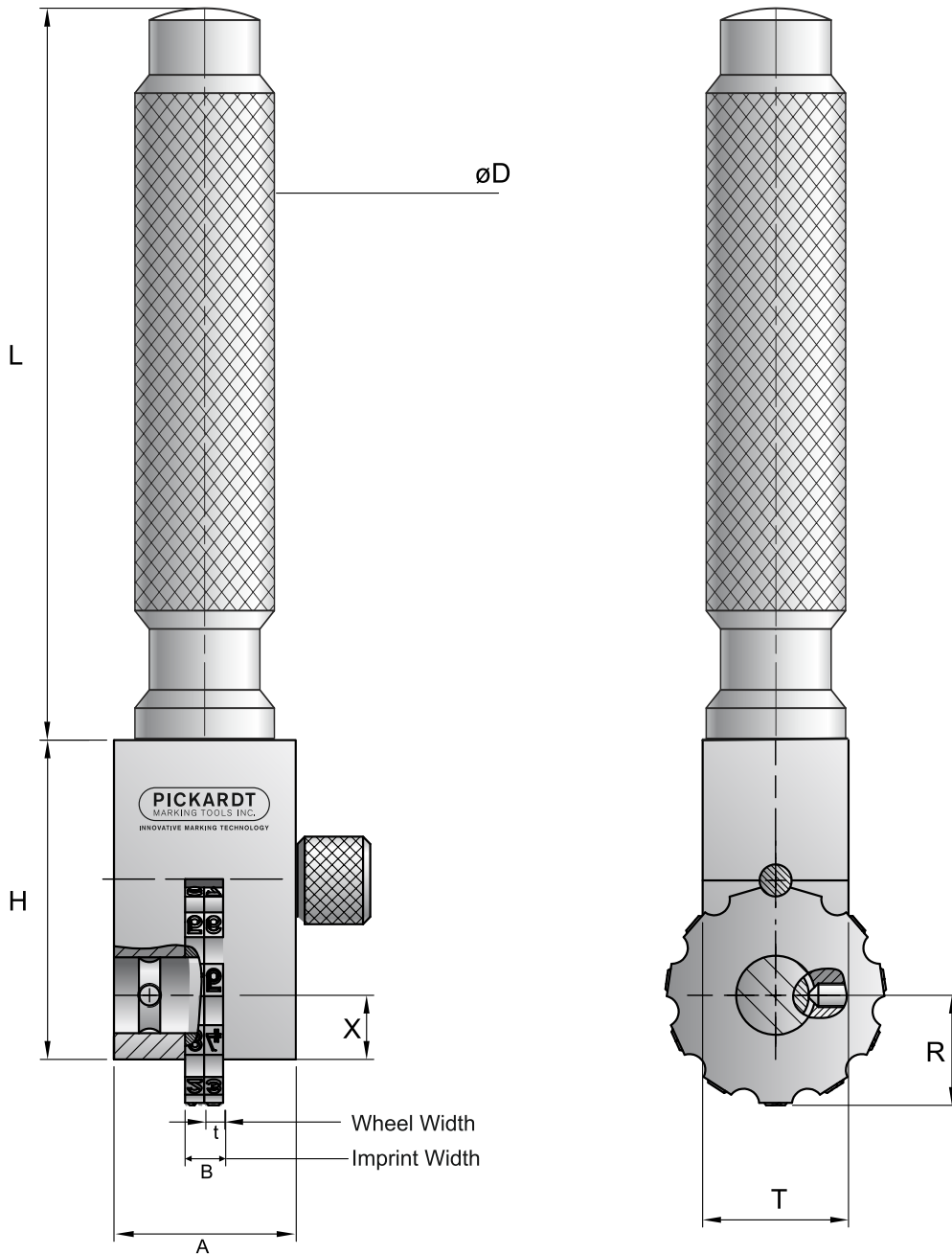
Two Wheels Lettersize 1/8" + 1/4"



- Small and compact design
- Impact handle (steel) screwed
- 2 wheels
- Engraving 0 — 9 and spacer
- For driving with a hammer
- All parts nickel plated
- Items standardized and available individually
- CNC Engraving
- Wheels Material 1.2842 HRC 60
- For a clean and even impression in steel, nonferrous metals and other materials

NUMBERING HEAD

Two Wheels Lettersize 1/8" + 1/4"



Lettersize	Number of wheels	wheel width mm	A	B	H	T	R	X	øD	L
1/8"+1/4"	2	4	30	8	60	30	22	14	29	120