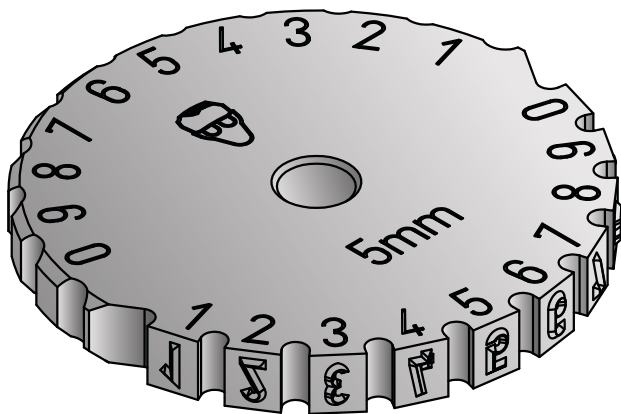
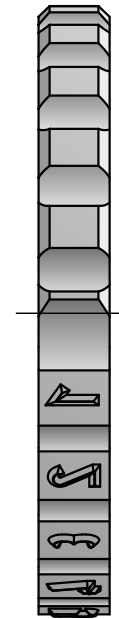
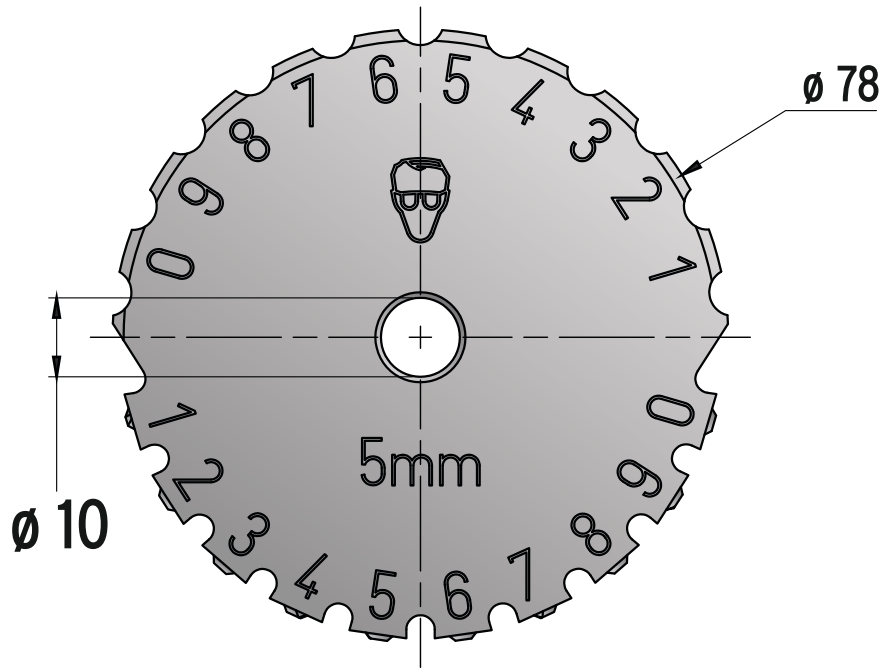
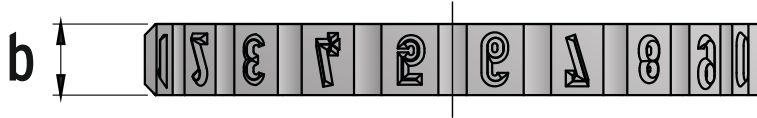


A set of number punches at a time

- Practical and compact
- The engravings are produced by CNC controlled engraving machines
- With engraved view numbers
- Diameter: 78 mm
- Chemically nickel plated
- 0 - 9 = 1 wheel; letters A - Z = 3 wheels

Punching Wheels SR 100



Schriftgröße Lettersize	Dicke Width
LS	b
5/64"	6 mm
1/8"	7 mm
1/4"	9 mm
3/8"	13 mm